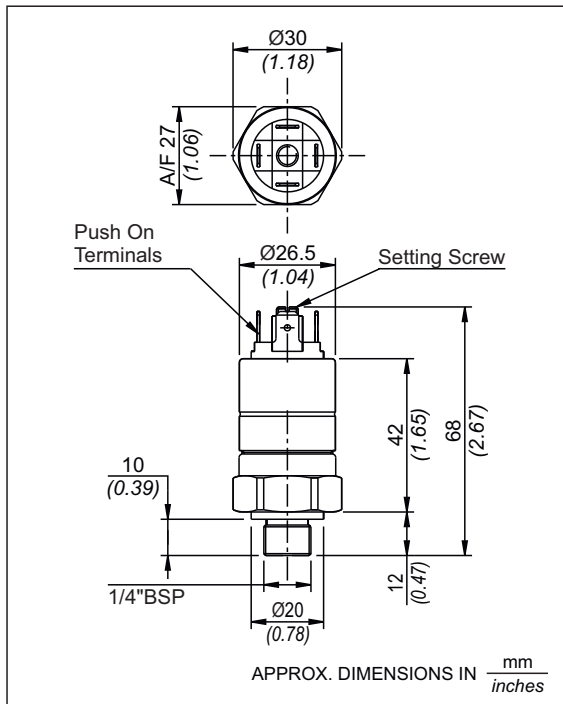


SE SUBMINIATURE SWITCHES



General information:

SE series subminiature pressure switches are low cost options. They are generally used where size is a constraint. Typical applications are to sense oil pressure in power packs. Can also be used for several automation applications.

Features:

- Compact
- Lightweight (Approx. 0.11 Kg.)
- Normally closed (NC) or normally open (NO) or SPDT
- Electrical rating: 5A, 250VAC; 0.2A, 250 VDC (res.)
- Switching point easy to adjust
- Material : Body - Aluminium; Pressure housing - Brass/MS/SS
- Wetted parts : MS/Brass/SS316L, Neoprene, PTFE
- Pressure port : 1/4" BSP(M), other sizes available

Range Selection Table

Range Code	Range bar (psi)	Differential* bar (psi) (Approx. Maximum)	Maximum Working Pressure bar (psi)
H01	0.2 - 1.0 (2.90 - 14.50)	0.2 (2.90)	35 (507.5)
H04	0.2 - 3.6 (2.9 - 52.20)	0.4 (5.8)	35 (507.5)
H10	0.5 - 10.0 (7.14 - 142.86)	1.0 (14.50)	35 (507.5)
H30	2.0 - 25.0 (29.00 - 362.6)	2.0 (29.00)	35 (507.5)

*Differential increases with set point, graph available on request.

Other model with range upto 200 bar available. Please contact sales office.

How to order SE Series Subminiature Switches

Group 1	Group 2	Group 3	Group 4	Group 5	Group 6	Group 7	Group 8
Non Standard Allocation	Model	Terminal Type	Switch Type	Range Code	Operating Type	Pressure Port Material / Size	Diaphragm
<input type="checkbox"/> A prefix "N" is used in the model code in case of any non standard options/ accessories that are provided with the switches. Will be given by manufacturer, only after agreement of supply details with customer.	SE = Subminiature Type	1 = Plug Type	PFO = Pressure Switch Fixed Differential	H01 = (0.2 - 1.0) H04 = (0.2 - 3.6) H10 = (0.5 - 10.0) H30 = (2.0 - 25.0)	A3 = With Silver Contact SPDT	S3 = SS316L / 1/4" BSPM B3 = Brass / 1/4" BSPM S6 = SS316L / M10x1 M B6 = Brass / M10 x 1M Contact Sales Office for side hole pressure port	0 = Nitrile 2 = SS316L

e.g.: A single subminiature switch, high pressure range from 0.1 - 1.0 bar in uncalibrated style with mild steel pressure port & a neoprene diaphragm shall be specified by

Group 1	Group 2	Group 3	Group 4	Group 5	Group 6	Group 7	Group 8
<input type="checkbox"/>	SE	1	PFO	H01	A1	M3	0

Please specify full model number to avoid ambiguity. If only the first two groups are specified while ordering, switches with standard wetted parts will be supplied.

Bulletin No. KA231025